

MODEL DSM-501

OPERATIONS & MAINTENANCE MANUAL



SECTION	CONTENTS
1	SPECIFICATIONS
2	DESCRIPTION
3	THEORY OF OPERATION
4	OPERATING CONTROLS
5	OPERATING INSTRUCTIONS
6	MAINTENANCE
7	PARTS LIST
8	SCHEMATICS

1.0 SPECIFICATIONS

ENERGY RESPONSE -----	40keV – 2 MeV
DETECTOR -----	TISSUE EQUIVIVANT PLASTIC SCINTILLATOR
PROBE LINEARIZATION -----	IINTERNAL ADJUSTMENTS FOR CAL CONSTANTAND DEAD TIME
RANGES -----	0 – 10m R/hr, 0 – 999.9 kcpm. 0 – 999.9 cps, 0 – 1.0 mSv/hr
COUNT TIME	0 -2550 SECONDS IN 10 SECOND INCREMENTS
RANGE ADJUSTMENT -----	AUTO RANGING
ELECTRICAL LINEARITY -----	± 5% OF FULL SCALE
RESPONSE TIME FULL SCALE -----	FAST = 10-250 SEC. SLOW = 10-250 SEC.
DRIFT -----	LESS THAN 5%
HIGH VOLTAGE -----	ADJUSTABLE - 300 - 1500 VDC REGULATION ± 1%
LOW VOLTAGE -----	+5 VDC & -5 VDC REGULATION ± 0.5 %
BATTERY -----	6 - "AA" ALKALINE
BATTERY OPERATION -----	200 HRS NOMINAL
LCD READOUT -----	4 DIGIT .75" (19mm) TALL , μR/HR, mR/HR,CPM, KCPM, CPS, μSv/HR,mSv/HR, Sv/HR
LCD REFRESH RATE -----	0.8 – 3 SECONDS (.2 SEC INCREMENTS
LCD BACKLIGHT -----	30 SECONDS PER ACTIVATION FRONT PANEL "BACKLIGHT SWITCH"
RS-232 DATA OUTPUT -----	9 PIN MINIATURE SUB-D CONNECTOR. DATA ON LCD
TEMPERATURE RANGE -----	-20° CENT. TO 50°CENT.
HUMIDITY RANGE -----	5 - 95% NON CONDENSING
DIMENSIONS -----	7¼"(184mm) X 2 ¾" (70mm) H X 6 5/8"(118mm) DEEP
WEIGHT -----	3# (1.3kilos) INCLUDING BATTERIES
HOUSING -----	16 Ga. ALUMINUM WITH HEAVY DUTY CARRYING HANDLE
HOUSING FINISH -----	LIGHT GRAY & DARK GRAY CATALYZED POLYURETHANE
CALIBRATION SECURITY -----	LATCHES THAT SECURE TOP AND BOTTOM HOUSING

2.0 DESCRIPTION

The Model DSM-501 is a ruggedized, multi-purpose, state of the art, DIGITAL MICRO R RATEMETER/SCALER. The large easy to read digital LCD readout is utilized to display all relevant data from the internal detector in Cpm, Cps, Counts, $\mu\text{R/hr}$, mR/hr units. The DSM-501 does not require any external pc boards, pc downloads etc. to calibrate and operate. All of the controls necessary to calibrate the DSM-501 are contained in the instrument. Calibration data i.e. HV, dead time, count time, alarm set point and over range set point, fast tc, slow tc and HV can be displayed on the LCD. Diagnostic circuitry constantly monitors the battery, high voltage and detector condition and automatically indicates when operation is out of tolerance. A FAST/SLOW RESPONSE switch (that is adjustable) is available on the front panel to change the full scale response from 10 - 250 seconds for FAST and 10-250 seconds for SLOW. A speaker that produces a loud AUDIBLE CLICK for each probe pulse can be turned OFF or ON from the front panel. The ALARMS for OVERRANGE & OPERATING ALARM have a visual ALARM indicator in the LCD and an audible indication when the alarm has been activated. The OPERATING ALARM can be temporarily disabled from the front by toggling the ZERO switch. Durability is enhanced by heavy duty, cast aluminum construction and the direct interconnection of the industrial type printed circuit boards.

3.0 THEORY OF OPERATION

3.1 GENERAL

The DSM-501 utilizes the latest field proven, microprocessor circuitry to the internal tissue equivalent scintillation probe. The instrument can function as a regular rate meter indicating the gamma dose or scaler with counting times from 10 – 2550 seconds in 10 second increments. The system changes ranges automatically and has separate non interacting controls for dose and dead time compensated cpm or cps calibration. Operation in either the counts/minute or dose mode for each probe is switch selectable from the front panel. The electronic circuitry is located on 2 heavy duty industrial type printed circuit boards that are directly interconnected to improve reliability and durability. All of the internal power is provided by highly regulated -5 vdc and +5 vdc ($\pm 0.5\%$) low temperature coefficient power supplies. A separate high stability higher voltage power supply is provided with a low temperature coefficient provides 300 - 1500 vdc ($\pm 1\%$) to operate probes with different HV requirements. AN OVER RANGE ALARM is available that produces a beeping audible alarm when the usable range of the probe has been exceeded. Diagnostic circuitry constantly monitors the power supply, high voltage supply and indicates out of tolerance operation by indicators on the LCD or by audible alert. A RS-232 data port can be provided by a 9 pin sub-d connector. Data is available at the connector when the "DATA" switch located on the front panel is depressed. A 9 pin sub-d to USB cable adapted is available as an option.

3.2 DETECTOR SIGNAL – DIAGNOSTICS – CALIBRATION CONTROLS

A microprocessor meter operates much differently than an analog type meter. Most of the functions i.e. dead time correction, diagnostics etc. are provided by the microprocessor programming (software). The DSM-501 contains two micro-processors one processor controls and manipulates the data from the probes and provides the HV and calibration support. The 2nd processor on the DISPLAY pc board controls the data to the display and provides the RS-232 signal to the "DATA OUTPUT CONNECTOR". Switch SW4 is an internal switch on the CPU that controls the CALIBRATION FUNCTIONS of the DSM-501. SW5 is a push button switch located by SW4 that is used to activate the calibration procedure selected and save the settings of the potentiometers utilized to calibrate each particular function. FIGURE 1 and 2 shows SW4 and SW5 and their position on the CPU pc board. Calibration of the ALL THE PARAMETERS IN THE SYSTEM is completed by utilizing SW4, SW5, P1, P2 and P3. SW4 is utilized to select the function that will be calibrated or set and P1, P2, and P3 are utilized to adjust the parameters. When a particular function has been set (calibrated) to the desired levels SW5 is depressed to save the readings on P1, P2 and P3. Each position on SW4 represents a function or parameter that is being adjusted. As a result of this system the potentiometers P1, P2 and P3 are utilized over and over again to adjust the parameters. When the calibration procedure has been completed THE INSTRUMENT IS OPERATED WITH SW4 ADJUSTED TO "0" ZERO POSITION. FIGURE 2 AND 2A SHOWS THE LOCATION OF SW4, SW5, P1, P2 AND P3. FIGURE 3 SHOWS THE COMPONENT LAYOUT OF THE POWER SUPPLY PRINTED CIRCUIT BOARD AND THE LOCATION OF THE MAJOR COMPONENTS.

3.3 HIGH AND LOW VOLTAGE POWER SUPPLIES

Six "AA" size batteries provide the LOW VOLTAGE power for all of the DSM-501 circuitry. The batteries are connected to a positive power regulator on the POWER SUPPLY pc board designated E1. E1 converts the 9 vdc to a very stable +5 vdc. The output of E1 (+5 vdc) is connected to the circuitry requiring +5 vdc and the negative 5 vdc regulator U2. The output of U2 (-5 vdc) is connected to the circuitry requiring -5 vdc. Both power regulators (E1 & U2) have very good regulation $\pm 0.5\%$ and a low temperature coefficient. The HIGH VOLTAGE supply is comprised of a special high efficiency transformer with a feedback winding and oscillator circuitry to generate a low ripple stable high voltage. The output of the transformer T1 is connected to a voltage doubler circuit comprised of D1-D4 & C3-C7. The output of the doubler circuit is filtered in a pi type filter and connected to the PROBE BNC through R1. R1 is also the load resistor for the detector circuit. The HV oscillator circuit through R4 constantly monitors the high voltage. R4 provides U1 a low voltage signal that represents the high voltage. Any change in the high voltage will result in an appropriate increase or decrease in the power Q1 & Q2 provide the high voltage transformer. This "feedback" is utilized to regulate the high voltage to approximately $\pm 1\%$. The power supply is designed with two high voltage outputs that can be independently adjusted between 300 – 1500 vdc. Figure 3 show the power supply pc board's major components and calibration controls

4.0 OPERATING CONTROLS & INDICATORS - FRONT PANEL

FIGURE 1 SHOWS THE FRONT PANEL OPERATING CONTROLS

4.1 CONTROLS - MAIN FUNCTION SWITCH

CONTROL SETTING	<u>FUNCTION</u>
OFF -----	ALL POWER DISCONNECTED TO THE INSTRUMENT
RATEMETER -----	NORMAL OPERATING RATEMETER MODE – CPM OR DOSE (BASED ON CS137 CALIBRATION) FOR PROBE 1
COUNT -----	TIMED COUNT (SCALER) MODE FOR PROBE 1

4.2 CONTROL – DOSE /CPM

Control is a toggle switch that selects the operating mode of the rate meter to measure in either roentgen or sieverts (BASED ON CS 137 CALIBRATION) or counts per minute. Probe response is automatically displayed in the correct (micro, milli or R/hr or sieverts) DOSE mode for the probe that has been selected on the MAIN SELECTION SWITCH. Operation in the CPM mode automatically includes the DEAD TIME correction for the probe that has been selected.

4.3 CONTROL – SPEAKER/ZERO

Control is a toggle switch with the center neutral. Toggling the switch for at least 3 seconds in zero direction instantly zeros the rate meter. Momentary operation in speaker direction turns speaker producing a "tick" for each input pulse from the detector on or off. THE AUDIBLE ALARM WILL REMAIN DISABLED UNTIL THE SIGNAL FALLS BELOW THE SETPOINT AT WHICH TIME THE ALARM CIRCUIT WILL RETURN TO NORMAL OPERATION.

4.4 CONTROL – DATA/BACKLIGHT

Control is momentary toggle switch with the center neutral. Momentary operation in data direction provides the data being displayed on the LCD to the RS-232 DATA OUTPUT CONNECTOR. Momentary operation in the BACKLIGHT direction will light the LCD BACKLIGHT FOR 30 seconds. BACKLIGHT switch can be operated at the end of each 30 second cycle for another 30 second period for as long as necessary. Continued operation of the BACKLIGHT will greatly reduce the instruments battery life.

5.0 OPERATING INSTRUCTIONS

5.1 BEFORE OPERATION

The DSM-501 HIGH VOLTAGE and GAIN are adjusted to the operating characteristics of the internal probes supplied with the meter. 6.2 or High Voltage adjustment procedure and SECTION 6.3, 6.4 for the calibration of the system. Be sure the R/Sv and the CPM/CPS switch has be set to the proper units before calibrating the system. Figure 4 shows the location of the switch on the LCD pc board.

NO OTHER CHECKS ARE NECESSARY PRIOR TO OPERATING THE DSM-501 EXCEPT TO OBSERVE THE DIAGNOSTIC INDICATORS IN THE LCD DISPLAY WHEN THE UNIT IS FIRST TURNED ON. The internal microprocessor analyzes the internal parameters for a few seconds when the instrument is first turned on and during the instruments operation. All range, battery & probe diagnostics are turn on momentarily during start-up to show they are working. The display then reverts to NORMAL operation. The diagnostic circuits connected to the BATT & PROBE indicators continuously monitor the Circuitry for out of range operation. Battery voltage below 6.8vdc will light the BATT Symbol on the LCD. Radiation fields that exceed the normal operating range of a probe in the DOSE mode will result in an audible beep & flashing alarm indication on the LCD every few seconds until the radiation field is reduced within the operating limits for the probe.

5.2 INSTRUMENT OPERATION - RATEMETER

5.2.1 Adjust the MAIN SELECTOR switch to RATEMETER for normal rate meter type operation.

5.2.2 Select the mode of operation CPM or DOSE (BASED ON CS 137 CALIBRATION) with the CPM/DOSE MODE SWITCH. CPM includes DEAD TIME correction. DOSE includes linearization and DEAD TIME for the probe. DOSE CALIBRATION IS REFERENCED TO Cs137. The LCD READOUT can display the probe signals in CPM, COUNTS, ROETGEN AND SEIVERTS. When calibrating the system the decision to operate in CPM or CPS and ROETGEN OR SEIVERTS MUST BE MADE AND THE APPROPRIATE SWITCHES ADJUSTED BEFORE THE SYSTEM IS CALIBRATED. FIGURE 4 SHOWS THE LOCATION OF THE R/Sv SWITCH AND THE CPM/CPS SWITCH.

5.3 INSTRUMENT OPERATION – COUNT

5.3.1 The count mode will count each individual pulse from the probe and display the count on the LCD. The system will be activated when the MAIN SELECTOR SWITCH is placed in the COUNT position. To start the counter from 0 counting time depress the ZERO SWITCH for at least 3 seconds. The COUNTING will appear and continue until the count cycle is complete. When the counting period is complete the COUNT will appear indicating the cycle is complete. To start another count cycle depress the ZERO switch for at least 3 seconds. If the system is adjusted to 0 seconds counting time then the system will continue to count as long as the MAIN SELECTOR SWITCH IS IN THE COUNT POSITION. See how to set count time.

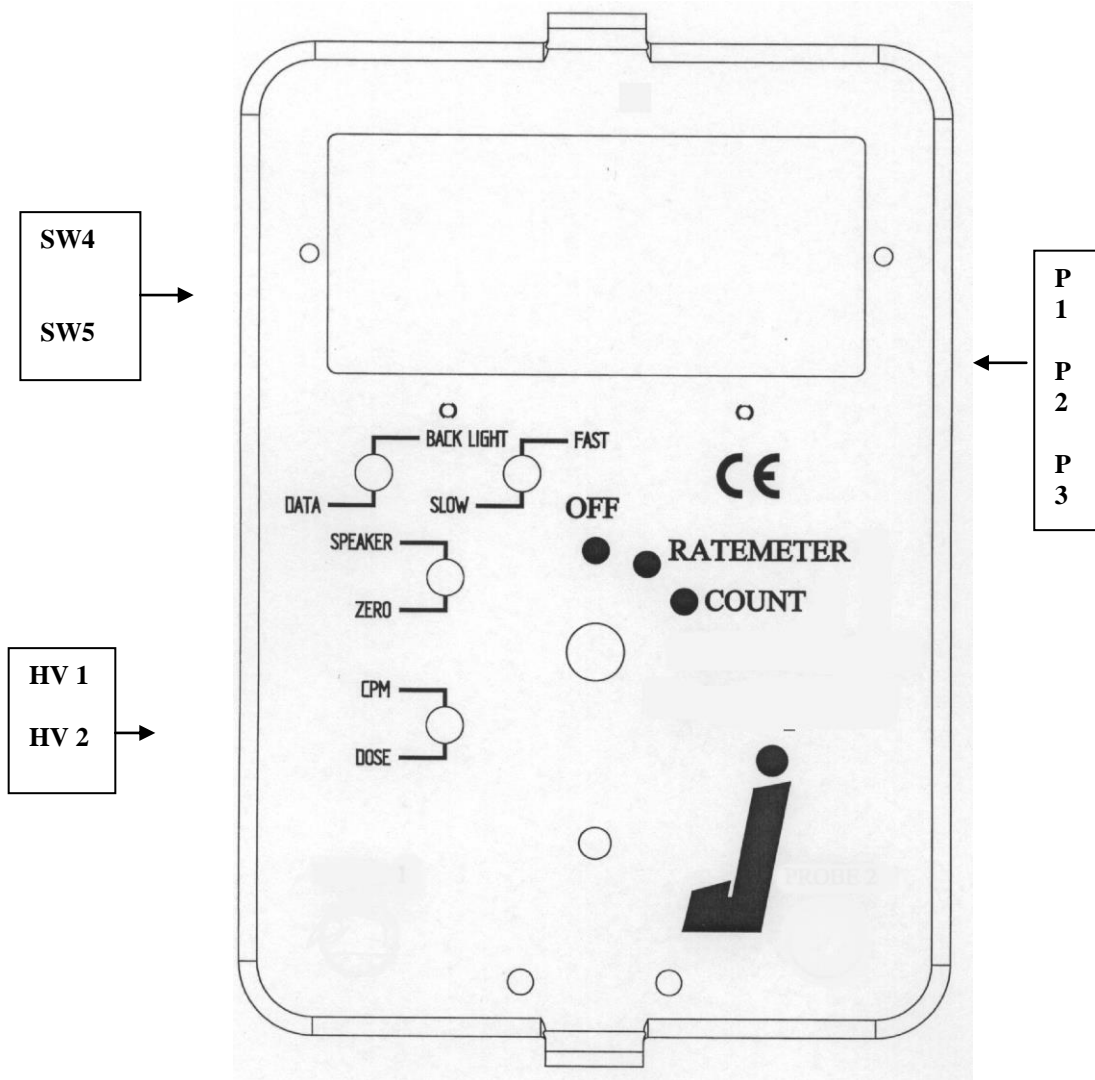


FIGURE 1
DSM-501 FRONT PANEL CONTROLS
& LOCATION OF MAJOR CAL CONTROLS

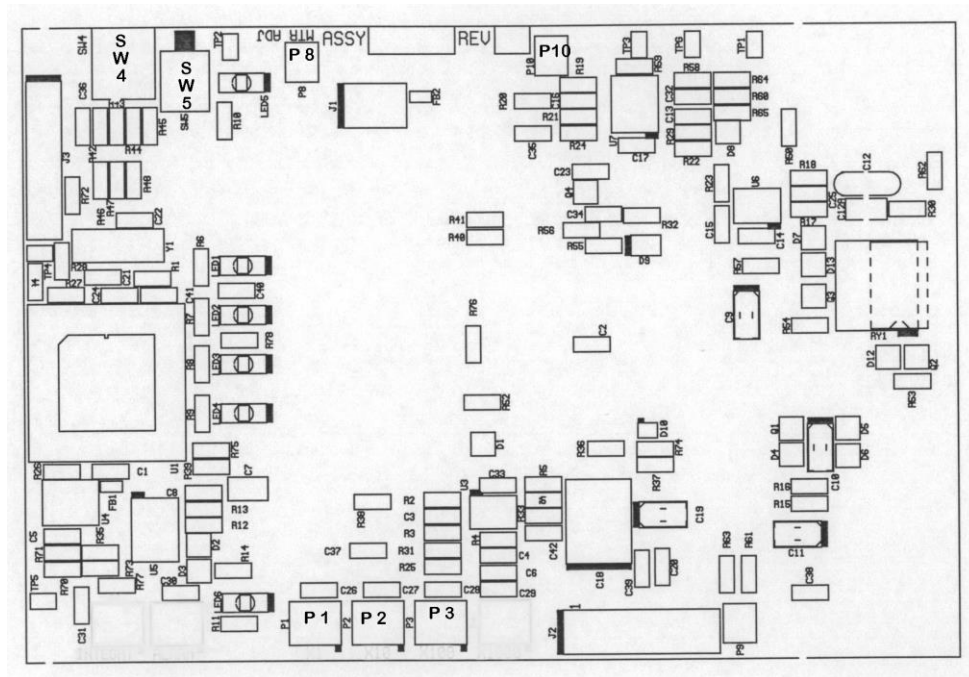
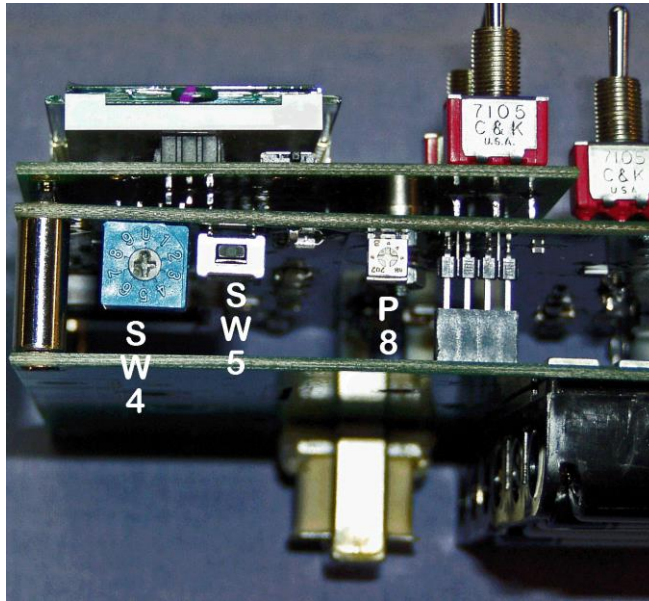
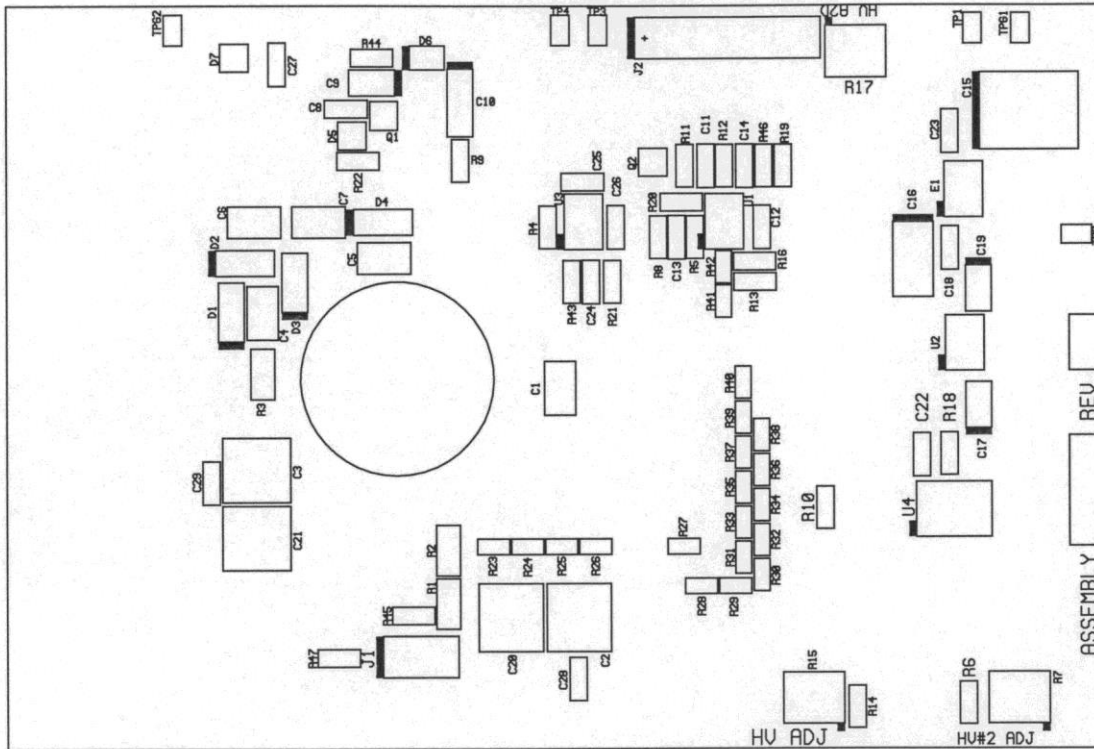


FIGURE 2
DSM-501 FRONT PANEL CONTROLS
P/N 12303 REV 6



FIGURE

**DSM-501 POWER SUPPLY AND MAJOR COMPONENTS
P/N 12291-1 REV 1**

3

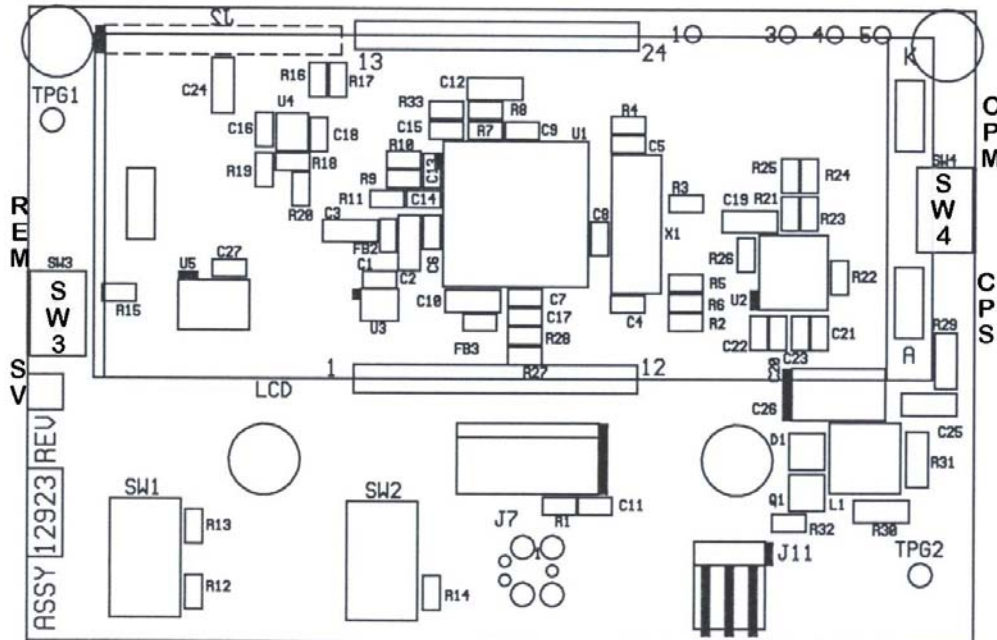


FIGURE 4

**DSM-501 LCD DIGITAL PC BOARD COMPONENTS AND CONTROLS
P/N 12923**

6.0 MAINTENANCE

GENERAL: The DSM-501 Digital Survey Meter can function as a CPM/CPS RATEMETER, DOSE CALIBRATED RATEMETER SCALER WITH TIMED COUNTING FUNCTIONS. Once the input has been calibrated the only operator intervention required is to select the type of operation (or count) with the MAIN SELECTORS SWITCH ON THE FRONT PANEL. No external devices are required to calibrate the system except a NIST traceable radioactive source and electronic pulse generator. ALL CONTROLS NECESSARY TO CALIBRATE THE DSM-501 ARE LOCATED ON THE PC BOARDS OF THE SYSTEM.

6.1 LOCATION AND FUNCTION OF CALIBRATION CONTROLS

GENERAL The calibration procedure for the DSM-501 utilizes only 3 potentiometers and 2 switches to calibrate all of the DSM-501's functions. FIGURE 1 SHOWS THE GENERAL LOCATION OF THESE CONTROLS. SW4 located on the left side of the top PC board selects the function to be calibrated i.e. alarm set point, over range set point, calibration constant dead time, count time, fast TC, slow TC, LCD refresh rate and probe high voltage.

IMPORTANT: P1, P2, P3 ARE UTILIZED TO COMPLETE ALL CALIBRATIONS AND/OR ADJUSTMENTS. SW5 MUST BE DEPRESSED AFTER EACH ADJUSTMENT OR THE CALIBRATION WILL FAIL

FIGURE 1 SHOWS THE GENERAL LOCATION OF THESE CONTROLS. SW4 located on the left side of the top PC board selects the function to be calibrated - SW5 SAVES THE ADJUSTMENTS.

These switch positions are as follows:

POSITION 0 = NORMAL OPERATING POSITION
 POSITION 1 = DISPLAY & EDIT COUNT TIME 0 - 2550 SECONDS (10 SECOND INCREMENTS – ADJ – P1**
 POSITION 2 = DISPLAY & EDIT OPERATIONAL ALARM (5% - 95%) ADJ – P1 COARSE – P2 FINE**
 POSITION 3 = DISPLAY & EDIT OVER RANGE ALARM ADJ – P1 COARSE – P2 FINE**
 POSITION 4 = DISPLAY & EDIT CALIBRATION CONSTANT – ADJ – P1 COARSE – P2 FINE – P3 TENTHS**
 POSITION 5 = DISPLAY & EDIT DEAD TIME - ADJ – P3**
 POSITION 6 = DISPLAY & EDIT HIGH VOLTAGE - MAIN SELECTOR TO #1 PROBE – ADJ #1 HV
 MAIN SELECTOR TO #2 PROBE – ADJ #2 HV – DISPLAY READS IN VOLTS
 POSITION 7 = DISPLAYS SOFTWARE NUMBER INSTALLED IN INSTRUMENT
 POSITION 8 = DISPLAY & EDIT FAST & SLOW TC – SET TO FAST ADJ P1 TO (10 – 250 SECONDS)
 SET TO SLOW ADJ P1 TO (10 – 250 SECONDS)**
 POSITION 9 = DISPLAY & EDIT LCD REFRESH RATE (8 = 0.8 SECONDS TO 30 = 3.0 SECONDS)
 ADJ P1 TO DESIRED REFRESH RATE**

SW5 (located beside SW4) is utilized to activate the calibration mode (“CAL” is visible in the upper center of the display when SW5 activates the calibration function) the function selected by SW4 and then save the data once the function has been calibrated into the meters data base. Once a function has been selected by SW4 and activated by SW5 the Potentiometers P1, P2 & P3 are utilized to input the calibration data. Once these potentiometers have calibrated the function SW5 MUST BE depressed OR the data WILL NOT BE SAVED RESULTING IN A FAILED CALIBRATION. This process is repeated for each SW4 position using the same P1, P2, & P3 for all data input. FIGURE 2 SHOWS THE LOCATION OF ALL THE CALIBRATION COMPONENTS.

6.2 ADJUSTING THE METER FOR CPM/CPS AND R/S_v OPERATION

6.2.1 The switches that adjust the DSM-501 for Roentgen or Sieverts are located on the LCD PC board. To access these switches remove the DSM-501 from its housing. Looking at the bottom of the instrument with the LCD at the top the CPM/CPS switch is on the left side of the LCD PC board. The side of the board near the LCD will have CPS and CPM - slide the small black switch lever toward the type operation desired.

- 6.2.2 The switch that selects the Roentgen or Sieverts is on the right side of the LCD PC board located directly above the push button switch SW5. Slide the small black switch lever in the direction of the desired units of measurement (mR/hr or Sieverts).
- 6.2.3 This completes the adjustment of the DOSE UNITS AND COUNTING UNITS THAT WILL BE DISPLAYED ON THE LCD.

6.3 ADJUSTING THE HV FOR PROBE INPUT. (FIGURE 1, 2 & 3)

- 6.3.1 Remove the DSM-501 from its housing
- 6.3.2 Determine if the HV that is required to operate the #1 probe is correct.
- 6.3.3 Adjust the MAIN SELECTOR SWITCH TO RATEMETER POSITION
- 6.3.4 Use a small screwdriver to adjust SW4 to position 6. The number displayed will be the HV on the Probe. Adjust the #1 HV potentiometer to read the required HV on the display.
- 6.3.5 Adjust the MAIN SELECTOR SWITCH TO RATEMETER POSITION.
- 6.3.6 Adjust SW4 to the 0 POSITION.
- 6.3.7 THIS COMPLETES THE ADJUSTMENT OF THE HV FOR THE PROBE.

6.4 DISABLING THE ALARM & OVERANGE ALARM BEFORE CALIBRATION

- 6.4.1 To disable the OVER RANGE & REGULAR ALARM before calibrating adjust the MAIN SELECTOR switch to RATEMETER OR COUNT depending on which alarms you want disabled.
- 6.4.2 To disable the OVER RANGE ALARM adjust SW4 to position 3 and depress SW5 so that CAL is visible on display
- 6.4.3 Adjust P1 & P2 clockwise until the display indicates 0.
- 6.4.4 Depress SW5. This completes disabling the OVERRANGE ALARM.
- 6.4.5 To disable the REGULAR ALARM
- 6.4.6 Leave the MAIN SELECTOR SWITCH at the same setting as was used to disable the OVER RANGE ALARM
- 6.4.7 Adjust SW4 to position 2 and depress SW5 until the CAL is visible on the display
- 6.4.8 Adjust P1 & P2 until display indicates 0. Depress SW5 to save the reading.

6.5 ADJUSTING THE CALIBRATION CONSTANT FOR THE PROBE (FIGURE 1 & 2)

GENERAL: The CALIBRATION CONSTANT adjustment, is the CALIBRATION POINT for the LOW END OF THE PROBES OPERATING RANGE. This adjustment is completed utilizing P1, P2 & P3. P1 acts as a COURSE adjustment and P2 acts as a FINE adjustment. P3 acts as an EXTRA FINE adjustment. These potentiometers will become active for the calibration process when SW4 is in the #4 position and SW5 is depressed. The "CAL" on the display will be visible when SW5 has been depressed and the meter is in the CALIBRATION MODE. SW5 MUST BE DEPRESSED AT THE END OF THE ADJUSTMENT OR THE DATA WILL NOT BE SAVED.

PROBE CC ADJUSTMENT

- 6.5.1 Remove the DSM-501 from its housing
- 6.5.2 Determine the DOSE range of the probe that will be calibrated.
- 6.5.3 Adjust the MAIN SELECTOR SWITCH TO THE RATEMETER POSITION.
- 6.5.4 Adjust SW4 to the #4 position. Depress SW5 so that CAL is visible.
- 6.5.5 GM TYPE PROBE'S CALIBRATION CONSTANT MUST BE CALIBRATED IN A RADIATION FIELD THAT PRODUCES LESS THAN 15KCPM (APPROX. 1% FULL SCALE) TO PREVENT INTERACTION WITH THE DEAD TIME ADJUSTMENT. SCINTILLATION TYPE PROBES CAN BE SET IN FIELDS THAT ARE SOMEWHAT HIGHER DUE TO THE LOWER DEAD TIME OF SCINTILLATION PROBES HOWEVER SCINTILLATION PROBES SHOULD HAVE THE CC SET IN AS LOW A FIELD AS PRACTICAL.
- 6.5.6 Adjust the DOSE/CPM switch to the DOSE POSITION.
- 6.5.7 Place the probe in a calibrated radiation field that will produce less than 15kcpm. (ABOUT 1% OF FULL SCALE)
- 6.5.8 Adjust P1, P2 & P3 until LCD indicates the correct radiation field
- 6.5.9 DEPRESS SW5 UNTIL CAL DISAPPEARS.
- 6.5.10 THIS COMPLETES THE INITIAL SETTING OF THE CALIBRATION CONSTANT.

6.6 ADJUSTING THE DEAD TIME FOR THE PROBE (FIGURE 1 & 2)

GENERAL: The DEAD TIME adjustment is the calibration point for the HIGH END OF THE PROBES OPERATING RANGE. The adjustment is completed utilizing potentiometer P3. The DEAD TIME adjustment will become active when SW4 is adjusted to position 5. P3 Will become active when SW5 is depressed and the CAL is displayed on the readout.

PROBE DT ADJUSTMENT

- 6.6.1 The full scale range for the tissue equivalent scintillation probe is 1 μ R/hr – 10mR/hr
- 6.6.2 Be sure MAIN SELECTOR SWITCH is still in RATEMETER position and DOSE/CPM switch is in the DOSE POSITION
- 6.6.3 Place the probe in a calibrated radiation field that is 70% - 90% of the probes NORMAL operating range.

- 6.6.4 Adjust SW4 to the #5 position. (The number that appears before depressing SW5 is the DT in micro seconds that is currently in the system.) Depress SW5 ONCE until "CAL" is displayed on readout.
- 6.6.5 Adjust P3 until the LCD indicates the correct value for the radiation field. Depress SW5 THIS SAVES THE DATA.
- 6.6.6 Adjust SW4 to #0 position (normal operating position). PANCAKE PROBE THAT HAS A NORMAL OPERATING RANGE OF 1 μ R/hr – 200mR/hr would be tested as follows to verify the accuracy of the overall calibration.

Range 1 = 20% & 80% of 200mR/hr

Range 2 = 20% & 80% of 20mR/hr

Range 3 = 20% & 80% of 2.0mR/hr

Range 4 = 20% & 80% of 0.20mR/hr

This procedure indicates after the CC & DT have been adjusted the meter readings should be verified to $\pm 10\%$ at each of the radiation fields calculated for Range 1 – Range 4. If the meter does not measure the 8 calibration points then the CC & DT calibration process will have to be repeated.

6.7 ADJUSTING THE OVER RANGE ALARM

GENERAL: The OVER RANGE ALARM is utilized to make the person operating the survey meter aware they have exceeded the normal operating limits of the survey meter and that the data is becoming inaccurate. The OVER RANGE ALARM is audible and has a visible blinking ALARM on the LCD panel and is indicated by the audio pulsing approximately 1 once per second. The alarm will stop when the field at the detector returns to normal operating range. In this procedure P1 & P2 are utilized to make the adjustments. P2 acts as a COURSE adjustment and P1 will act as a FINE adjustment. PROBE DOES NOT HAVE TO BE IN RADIATION FIELD FOR THIS ADJUSTMENT

- 6.7.1 Adjust the MAIN SELECTOR switch to the RATEMETER position to perform the OVERRANGE ALARM ADJUSTMENT.
- 6.7.2 Adjust SW4 to the #2 position. The number that appears will be the alarm setting that is currently established for the OVERRANGE ALARM.
- 6.7.3 Depress SW5 until "CAL" appears then adjust P1 & P2 until the LCD indicates a reading that is 10% - 15% above the FULL SCALE range of the probe.
- 6.7.4 Depress SW5 until "CAL" disappears to save the data. Adjust SW4 to the NORMAL OPERATION POSITION #0
- 6.7.5 The survey meter is now ready for NORMAL OPERATION.

6.9 ADJUSTING ALARM SETPOINT

GENERAL: THE DSM-501 HAS AN AUDIBLE ALARM THAT CAN BE SET INDEPENDENTLY FOR RATEMETER DOSE, RATEMETER CPM & COUNTS. THE SAME CONTROLS SW4, SW5, P1 & P2 ARE UTILIZED TO MAKE THESE ADJUSTMENTS. ADJUSTING THE ALARM SETPOINT TO 999.9 R/hr or 999.9 kcpm DISABLES THE ALARM

ALARM SETPOINT RATEMETER "DOSE RATE"

- 6.9.1 Adjust the MAIN SELECTOR switch to RATEMETER
- 6.9.2 Adjust the DOSE/CPM switch to DOSE
- 6.9.3 Adjust SW4 to position 3. Depress SW5 until "CAL" appears.
- 6.9.4 Adjust P2 & P1 until the readout indicates the correct alarm setting
- 6.9.5 Depress SW5 until "CAL" disappears to save data
- 6.9.6 Return SW4 to #0 POSITON FOR NORMAL OPERATION

ALARM SETPOINT RATEMETER "CPM/CPS"

- 6.10.1 Adjust the MAIN SELECTOR switch to RATEMETER
- 6.10.2 Adjust the DOSE/CPM switch to CPM
- 6.10.3 Adjust SW4 to position 3. Depress SW5 until "CAL" appears
- 6.10.4 Adjust P2 & P1 until the readout indicates the correct alarm setting
- 6.10.5 Depress SW5 until "CAL" disappears to save data.
- 6.10.6 Return SW4 to the # 0 POSITON FOR NORMAL OPERATION

ALARM SETPOINT COUNTS (SCALER)

GENERAL: THE DOSE/CPM SWITCH IS NOT IN SERVICE WHEN THE METER IS IN THE COUNT MODE OF OPERATION

- 6.11.1 Adjust the MAIN SELECTOR switch to COUNT
- 6.11.2 Adjust SW4 to position 3. Depress SW5 until CAL appears.
- 6.11.3 Adjust P2 & P1 until the readout indicates the correct alarm setting
- 6.11.4 Depress SW5 until CAL disappears to save data
- 6.11.5 Return SW4 to the #0 POSITON FOR NORMAL OPERATION

6.10 TIMED COUNT

GENERAL: THE DSM-501 HAS A TIMED COUNT FUNCTION WITH A RANGE OF 0 – 2550 SECONDS IN 10 SECOND INCREMENTS. THE TIME COUNT FUNCTION IS ONLY AVAILABLE FOR IN THE COUNT POSITION OF THE MAIN SELECTOR SWITCH.. THE SAME CONTROLS SW4, SW5, P1 & P2 ARE UTILIZED TO MAKE THE ADJUSTMENTS. FOR THE TIMED COUNT FUNCTION.

TIMED COUNT FUNCTION – ADJUST THE COUNT TIME

- 6.10.1 Adjust the MAIN SELECTOR SWITCH TO COUNT. Adjust SW4 to position 1. This displays the counting time in seconds currently in the system.
- 6.10.2 To set the count time to another time Depress SW5 until “CAL” appears.
- 6.10.3 Adjust P3 until readout indicates the correct counting time in seconds
- 6.10.4 Depress SW5 until “CAL” disappears to save the data.

OPERATION IN THE TIME COUNT MODE

- 6.10.1 Adjust the MAIN SELECTOR SWITCH to the COUNT position.
- 6.10.2 If count time is unknown adjust SW4 to the #1 position and COUNT TIME in seconds for that probe will be displayed. (CAUTION) DO NOT DEPRESS SW5 OR TIME COULD BE CHANGED)
- 6.10.3 Return SW4 to the #0 POSITION and instrument is ready for normal operation.
- 6.10.4 To start a time count cycle Depress the ZERO SWITCH on the front panel.
- 6.10.5. When the ZERO switch is depressed the timed count cycle will begin and the word “COUNTING” will appear on the display. When the cycle is complete “COUNTING” will disappear and the word “COUNT” will appear. This indicates the count cycle has been completed.
- 6.10.6 The total counts will remain on the display until the ZERO switch is depressed or the instrument is turned OFF.
- 6.10.7 If the instrument remains ON a new count cycle can be started by DEPRESSING THE ZERO SWITCH on the front panel.

PARTS LIST

7.0 PARTS LIST

7.1 DSM-501 LCD PC BOARD -- P/N 12472

JOHNSON P/N	DESCRIPTION	REFERENCE	QUANTITY REQUIRED

12923-1	LCD DRIVE BRD REV-1		1
116200	I.C 4Kb FRAM SERIAL MEMORY		1
116199	I.C. 80 PIN FLASH MICRO CONTROLLER		1
105291	SWITCH ON-OFF-ON	SW1	1
107424	SWITCH TOGGLE	SW2	1
107591	TERMINAL STRIP 50 PIN	J7	6
108119	RESISTOR 100 OHM – 5%	R30, 31	2
108392	RESISTOR 10 OHM – 5%	R29	1
109162	CAP. 10 PF – 50 V	C4, 5	2
109413	CAP. 100PF – 50 V	C11	1
110197	RESISTOR 47K 5%	R1	1
110199	RESISTOR 10K 5%	R9, 11, 12, 13, R14, 15	6
110201	RESISTOR 1K 5%	R7	1
110202	CAP 0.1 MF 16 V 10%	C1, 6, 7, 8, 9, 13 C14, 15, 18, 20 C21, 22, 23, 27	14
110226	CAP 47 MF 20V 10%	C26	1
110387	JUMPER 0 OHM	R10	1
110653	RESISTOR 100 OHM 5%	R33	1
110754	RESISTOR 100K 5%	R2, 3, 4, 5, 6, 21 R22, 23, 24, 25 R26, 27, 28, 32	14
111143	TERM STRIP 50 PIN	J2	10
112729	TRANS. 60V 500ma	Q1	1
114115	FERRITE CHIP 2.5 A- 120 OHM	FB2, FB3	2
114206	CRYSTAL 10 MHZ (SMT)	X1	1
114293	SLIDE SWITCH	SW3, SW4	2
114939	DUAL SCHOTTKY DIODE 30V	D1	1
116001	CAP 2.2µF 25V 10%	C2, 3, 10, 12, 19 C24, 25	7
116014	HEADER MALE PIN3 POS	J11	1
116020	I.C.OP AMP AD8628	U4	1
116196	LCD DISPLAY JOHNSON	LCD	1
116197	TERM STRIP LOW PROF. 50 PIN		33
116198	I.C. 3V – 5.5 RS-232 DRIVER/REC	U2	1

7.1 DSM-501 LOGIC BOARD -- P/N 12472

JOHNSON P/N	DESCRIPTION	REFERENCE	QUANTITY REQUIRED

105291	SWITCH ON-OFF-ON	SW1	1
107424	SWITCH TOGGLE	SW2	1
108433	6-32 X 5/8" STANDOFF SWAGE		2
113013	RF CONN GOLD CONTACT	PROBE 1, 2	2
100201	RESISTOR 2K 5%	R28	1
100234	RESISTOR 2.2K 5%	R6, R76	2
100242	CAP .01MF 50 V 20%	C32, 41	2
100703	RESISTOR 20K 5%	R17	1
100711	RESISTOR 15K 5%	R13	1
101278	SWITCH RIGHT ANGLE PUSH BUTTON	SW5	1
103742	SWITCH 2 POL 6 POS	SW3	1
105462	SPACER #5 X 3/16"		2
107479	SWITCH RIGHT ANGLE BCD	SW4	1
108030	I.C ON TIME PROG 8 BIT	U1	1
108117	RESISTOR 10K 5%	R1, 14, 15, 16, 20, 21, R24, 26, 47, 59, 60	11
108118	RESISTOR 4.7K 5%	R23	1
108119	RESISTOR 100 OHM 5%	R50	1
108123	DIODE 100V	D2, 3, 12, 13	4
108128	CAP .22MF 50V 10%	C7	1
108217	RESISTOR 220K 5%	R4	1
108349	RESISTOR 1K 5%	R29, 52, 53, 54	4
108350	RESISTOR 1MEG 5%	R22, 31, 33, 55, 56, 58	6
108358	CAP 0.1 MF 50 V 20%	C1, 3, 5, 8, 14, 15, 16, 17, C20, 23, 24, 25, 26, 27, C28, 29, 30, 31, 33, 34, C35, 36, 37, 38, 39, 40, 42	27
108385	CAP 10MF 25V 10%	C9, 10, 11, 19	4
108433	6-32X5/8 SWAG STANDOFF		2
108661	TRAN BIPOLAR NPN 40V	Q1, 2, 3	3
108667	CAP 1MF 16V 10%	C4, 6	2
108791	RESISTOR 82K 5%	R2	1
108793	RESISTOR 56 OHM	R19	1
108847	ECONORESET	U4	1
108865	DUAL DIODE	D7	1
109127	RESISTOR 560K 5%	R18	1
109134	LP339M I.C.	U7	1
109150	RESISTOR 1.6K 5%	R6, 7, 8, 9, 10, 11	6
109156	I.C	U3	1
109262	RESISTOR 10 MEG 5%	R27	1
109263	CAP 22PF 50 V 5%	C21, 22, 25	3
109641	CAP 470 PF 16 V 10%	C18	1
109930	52 PIN SOCKET	U1	1
110162	FERRITE 1000 OHM 400ma	FB1, FB2	2
110634	RESISTOR 91K 5%	R64	1
111037	CAP 100PF 1KV 10%	C12A	1
111888	DIODE SCHOTTKY 30V 30 ma	D1, 4, 6, 7, 8	5
112341	RESISTOR 249K 1%	R25, 51	2
112426	RESISTOR 120 OHM 5%	R57	1
112452	SOCKET 10 PIN	J3	1

7.1 DSM-501 LOGIC BOARD -- P/N 12472

JOHNSON P/N	DESCRIPTION	REFERENCE	QUANTITY REQUIRED

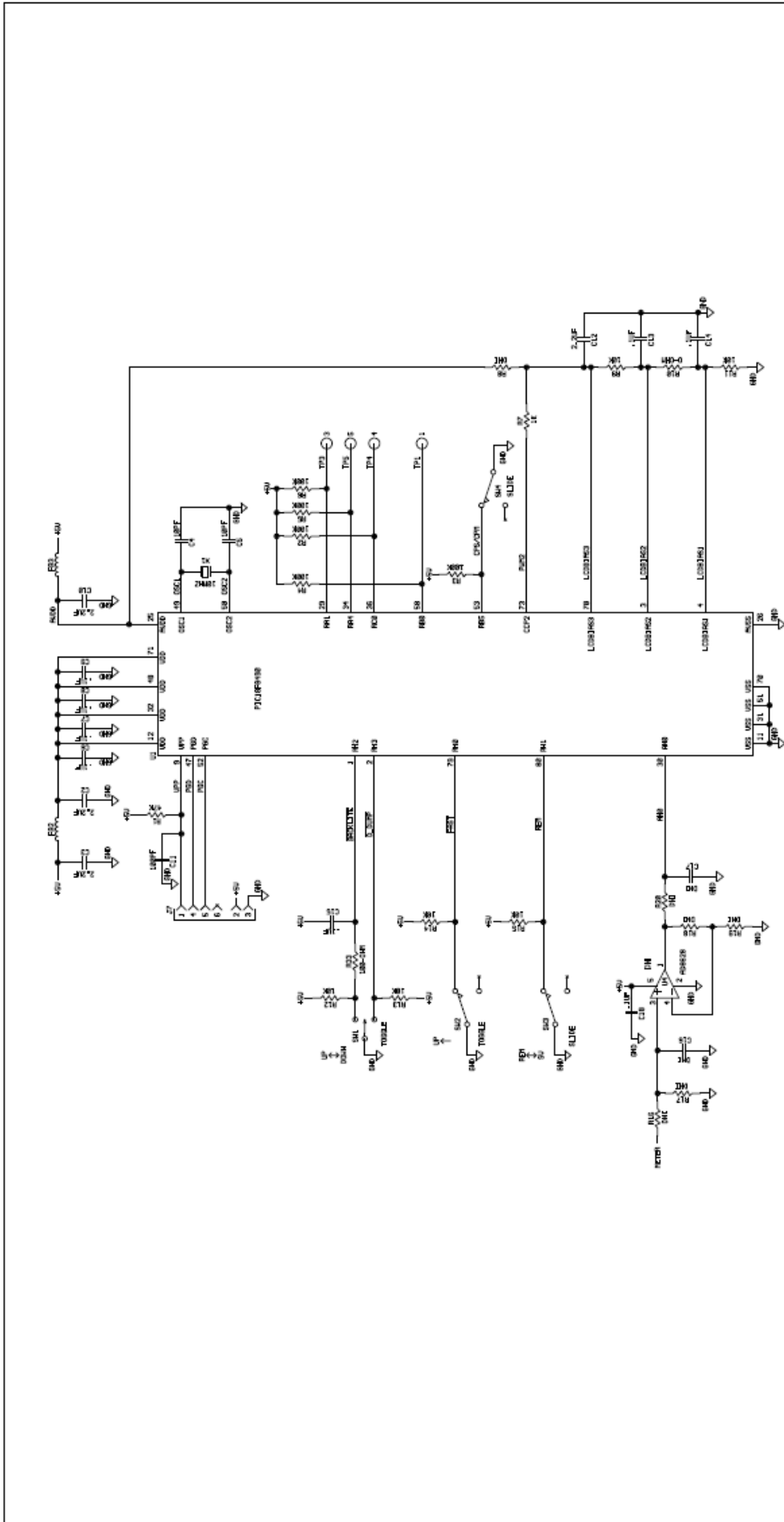
112948	2.5 X2MM RED LIGHT	LED 1, 2, 3, 4, 5, 6	6
112995	JUMPER O OHMS	J3	1
112997	TEST POINTS	TP1, 2, 3, 4, 5	5
113013	RF CONN GOLD CONTACT	PROBE 1	1
114058	I.C. 3 MHz OP AMP	U6	1
114074	RECTIFIER 12V 4.3 AMP	Q4	1
114185	2 FORM C 5 V 2 COIL LATCH RELAY	RY1	1
114186	8 MHz 18PF FUND	Y1	1
114187	10 PIN CONNECTOR	J2	1
114188	4 PIN CONNECTOR	J1	1
114189	15 V BUZZER 3kc	SPK 1	1
113191	2K POT 1 TURN	P8	1
115253	DIODE SCHOTTKY	D10	1
116203	1K POT 1TURN	P10	1
116278	50K 12TURN POT	P1, 2, 3, 4, 5, 6	6
12929-1	PC BOARD W/LCD SUP		1
9021-3	SPEAKER GASKET DIE #518		1
9077-4	ROTARY SWITCH MOD 103742		1

7.2 DSM-501 POWER SUPPLY BOARD -- P/N 12291

JOHNSON P/N	DESCRIPTION	REFERENCE	QUANTITY REQUIRED
100231	51K 1/8W 1206 PKG	R43	1
100242	0.01MF 50V 1206 PKG	C13	1
100703	20K 1/8W 1206 PKG	R46	1
102804	4-40 KEPNUT	B1, 2	4
104539	W/MTG STRAP TRANSFORMER	T1	1
106712	4-40X 2/8 UNDERCUT	B1, 2	4
108117	10K 1/8W 1206 PKG	R16, 19, 20	3
108118	4.7 1/8W 1206 PKG	R11	1
108123	100 VDC 200 MW DIODE	D5, 7	2
108303	3AA PC MOUNT BL. BAT. HOLDER	B1, 2	2
108349	1K 1/8 1206 PKG	R4, 21	2
108350	1M 1/8W 1206 PKG	R8	1
108353	1.5K 1/8W 1206 PKG	R9	1
108358	0.1 50V 1206P	C8, 11, 12, 14, 18, 22, 23, 25-27	10
108661	NPN 40V SOT-23	Q2	1
108667	1MF 16V 1206 PKG	C24	1
108829	47K 1/8W 1206 PKG	R18	1
109011	SOT-23 60V 150A PNP BIPOLAR	Q1	1
109133	5V REGULATOR	E1	1
109156	MC33172D I.C.	U1, 3	2
109163	110K 1/8W 1206 PKG	R 6, 14	2
109641	470MF 16V	C15	1
109896	2.4K 1/8 W 1206	R12	1
110481	1MF 50V 6032 PKG TANT.	C10	1
110656	10MF 16V 3528 PKG. TANT	C9, 17, 19	3
110761	1A 600V RECTIFIER DIODE	D1-4	4
110824	200 OHM 1/8 1206 PKG	R22	1
111128	100 MF 20V 7343 PKG ROHS COMP	C16	1
111180	1M 1/2 W 2010 PKG	R1-3	3

JOHNSON P/N	DESCRIPTION	REFERENCE	QUANTITY REQUIRED
112074	CMOS VOLTAGE CONVERTER	U2	1
112118	100PF 3000V 1808 PKG	C1	1
112298	0.027 MF 2KV 2225 PKG	C2, 3, 20, 21	4
112341	249K 1/8 1206 PKG	R13	1
112695	0.001MF 1KV 1808 PKG.	C4-7	4
112995	0 OHM JUMPER 1206 PKG	R44	1
112997	MINIATURE TEST POINTS	TPG1, 2 TP 1-4	6
113143	2.7M 1/8 W 1206 PKG.	R45, 47	2
114190	50K 4MM SQ. SINGLE TURN TRIMMING	R7, 15, 17	3
114193	10 PIN .25" SQ SINGLE SOCKET	J2	1
114194	4 PIN .025" SQ SINGLE SOCKET	J1	1
114220	22M 1/10W 0805 PKG	R23-42	20
114737	MUX/DMUX TRI 2CH ANLG. 16 SOTC 1.C.	U4	1

8.0 SCHEMATICS



NOTE TO PERSONS RECEIVING THIS DRAWING: Appalachian Electronic Instrument Company, Inc. is not responsible for the accuracy of the information contained in this drawing insofar as it is used for any purpose other than the specific purpose for which it was prepared. The user assumes all liability for any and all consequences arising from the use of this drawing in any manner other than as intended.

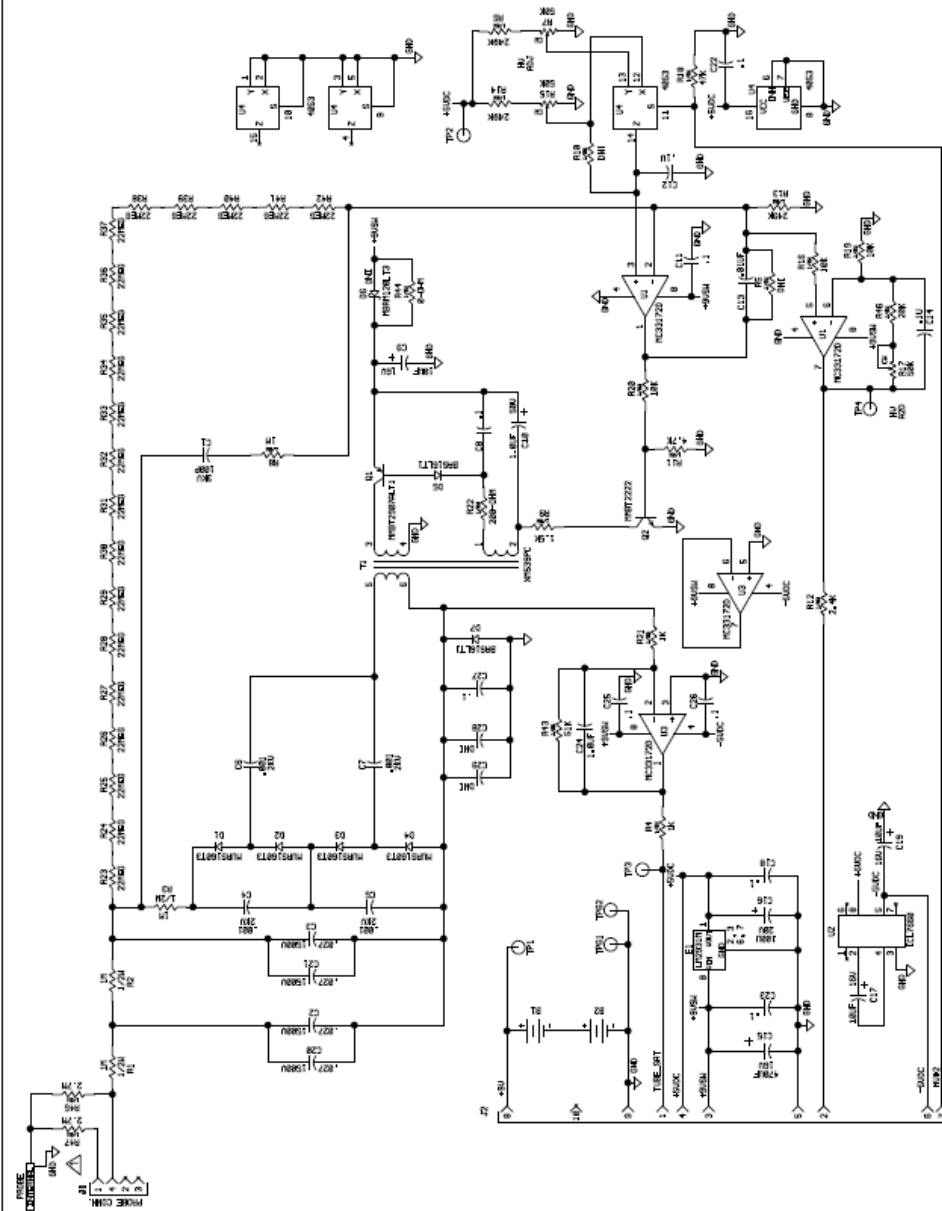


REF PN 13062
 APPALACHIAN ELECTRONIC INSTR. INC.
 RONCEVERTE, WEST VIRGINIA, U.S.A.

DRAWN BY DRH
 CHECKED BY ST
 DATE 8-17-10
 DWG. NO. 300157
 REV. 0
 SCALE NTS
 SHEET 2 OF 2

26 PIN LCD DRIVE BOARD
 PRODUCT NAME
 SERIAL NO.

- NOTES: FOR ASSEMBLES GSM-500 & 525 (PN 12291)
 ▲ DNI: R45, 47 & PROBE
- NOTES: FOR ASSEMBLES GSM-502 & 503 (PN 12346)
 ▲ GSM-502 USES PROBE (AE# 114289)
 ▲ GSM-503 USES PROBE (AE# 114290)
 DNI: R47
- NOTES: FOR ASSEMBLES GSM-501 & 501R (PN 12347)
 ▲ GSM-501 & 501R USES A PROBE THAT MOUNTS IN THE ENCLOSURE
 R45 IS A 100-ΩHM RESISTOR (AE# 108119)
- NOTES: FOR ASSEMBLES GSM-506 BIODEX & 506 (PN 12473)
 ▲ GSM-506 BIODEX & 506 USES PROBE (AE# 114289)
 DNI: R45
- NOTES: FOR ALL ASSEMBLES DNI: C26, C29, D6, R5, R10



REF
 GSM-500 & 525 PN 12291
 GSM-502 & 503 INTERNAL PROBE PN 12346
 GSM-501 & 501R INTERNAL PROBE PN 12347
 GSM-506 BIODEX & 506 INTERNAL & EXTERNAL PROBE PN 12473

NOTE TO PERSON RECEIVING THIS DRAWING: THIS DRAWING IS THE PROPERTY OF APPALACHIAN ELECTRONIC INSTRUMENTS, INC. IT IS TO BE USED FOR THE MANUFACTURE OF THE SURVEY METER ONLY. IT IS NOT TO BE REPRODUCED OR USED FOR ANY OTHER PURPOSE WITHOUT THE WRITTEN PERMISSION OF APPALACHIAN ELECTRONIC INSTRUMENTS, INC.	DATE: 7-20-05	SCALE: NTS	SHEET: 1	OF: 1
APPALACHIAN ELECTRONIC INSTRUMENTS, INC. RONCEVERTE, WEST VIRGINIA, U.S.A.	POWER SUPPLY BOARD			
DRAWN BY: PM	CHK'D BY: CT	PRODUCT NAME: JUNCTION GSM-500 SERIES MODEL B	DWG. NO.: REV1	

ADJUST: 1	DATE: 01/10/00	BY: BRH	REV: 01
#1264	DATE: 11/11/00	BY: BRH	REV: 07
#1102	DATE: 07/20/05	BY: BRH	REV: 07
ECO # REV	CHANGE DESCRIPTION		

